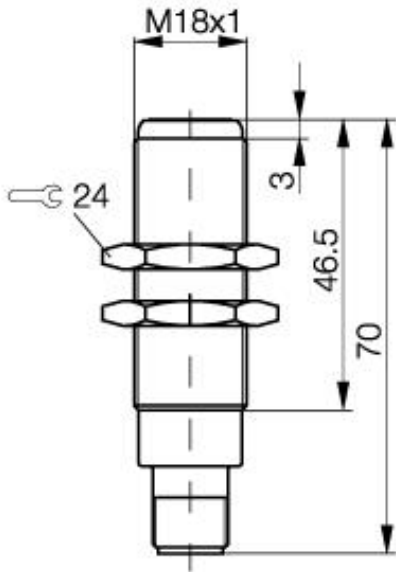


Photoelectric Sensor
BOS 18E-PO-1YA-E5-D-S 4
Sn=100mm
Diffuse



PX1045

Common Data

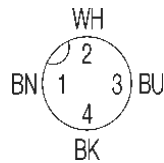
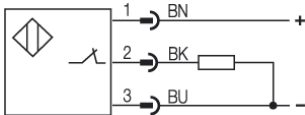
Series	18E
Sensortype	Diffuse
Switching frequency	100 Hz
Rated operating distance Sn in mm	100
assured operating distance Sa	80% from Sn
Repeat accuracy	< 5% from Sn
Hysteresis	< 10%
Indication Switching element on	yes, yellow LED
Ambient temperature	-20...+75°C
On-delay	< 5ms
Off-delay	< 5ms
Light	Red light
Blind zone / min Reflector distance	5 mm
Permissible ambient light	2000 Lux
Output function	dark-on

Mechanical Data

Measurements	M18x70
Shock	Halfsinus, 30gn, 11ms
Vibration	10...55Hz, 1,5mm Amplitude 3x2h
Housing material	stainless steel 1.4571
Material of sensing face	Glass
Degree of protection	IP69
Connection	Connector S4 (M12)
Weighth	40g
Recommended connector	BKS-S20E-4

Electrical Data

Current	DC
Switching function	normally-closed
Output	PNP
Rated operational current Ie	200mA
Supply Voltage	10...30V DC
Ripple	< 10% from UB
Frequency of Supply Voltage	DC
No-load supply current	<20mA
Voltage drop	<2,5V
Short protection	yes
Protected against polarity reversal	yes
Rated insulation voltage	250V AC
Output resistance	33kOhm
max. Load capacity	1µF



Utilization categories
 Insulation class

DC13

Datasheet number:

Definitions see general catalog.
 If not otherwise noted, ratings according to
 IEC 60947-5-2 (DIN EN60947-5-2)

Balluff GmbH
 Schurwaldstrasse 9
 73765 Neuhausen a.d.F.
 Phone (07158) 173-0 Fax (07158) 5010

Datenblatt by CD-ROM - 04/2007

BALLUFF
 sensors worldwide